
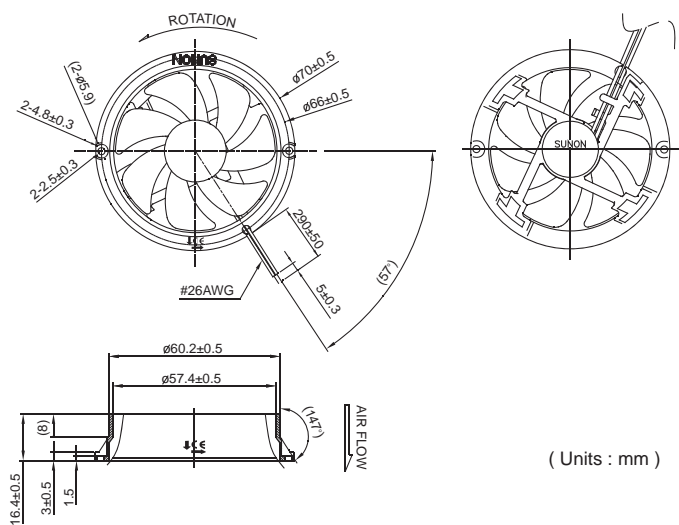
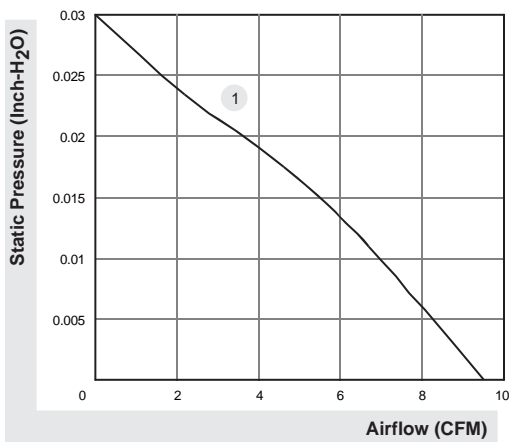


∅ 70x16.4mm

9.7 CFM



 HA60151V3-E04C-A99	Bearing	Rating Voltage (VDC)	Power Current (mA)	Power Consumption (WATTS)	Speed (RPM)	Air Flow (CFM)	Static Pressure (Inch-H <sub>2</sub> O)	Noise (dBA)	Weight (g)	Curve
	● VAPO	●	12	23	0.28	2300	9.7	0.03	13.2	25.0




\*All model could be customized. Please contact with Sunon Sales.

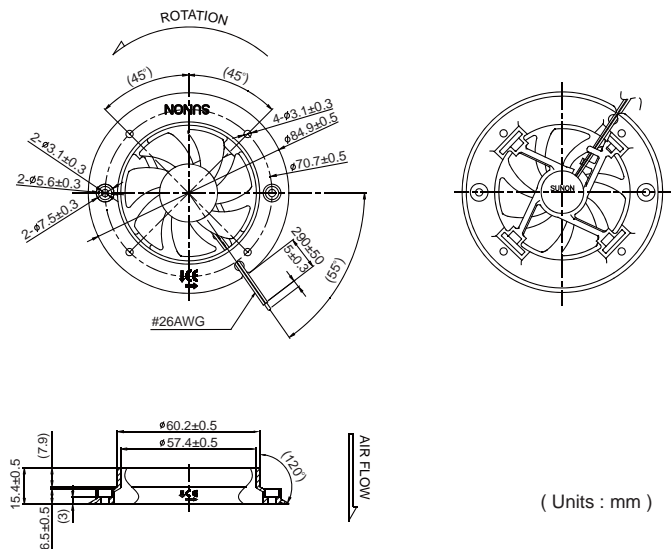
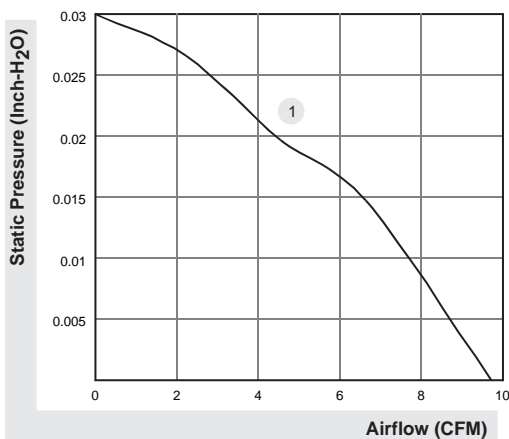
\*Specifications are subject to change without notice. Please Visit SUNON web site at <http://www.sunon.com> for update information.

∅ 84.9x15.4mm

9.7 CFM



	Bearing	Rating Voltage (VDC)	Power Current (mA)	Power Consumption (WATTS)	Speed (RPM)	Air Flow (CFM)	Static Pressure (Inch-H <sub>2</sub> O)	Noise (dBA)	Weight (g)	Curve
	HA60150V3-E03C-A99	● VAPO	5	51	0.26	2300	9.7	0.03	15.4	29.1
HA60151V3-E00C-A99	●	12	23	0.28	2300	9.7	0.03	15.4	29.1	1




\*All model could be customized. Please contact with Sunon Sales.

\*Specifications are subject to change without notice. Please Visit SUNON web site at <http://www.sunon.com> for update information.

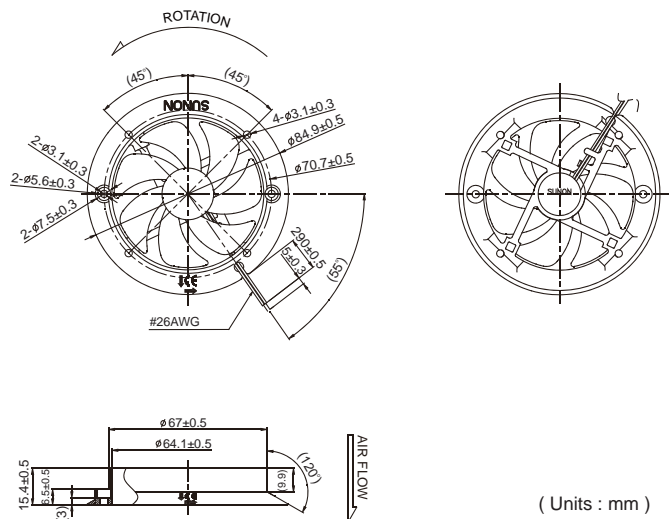
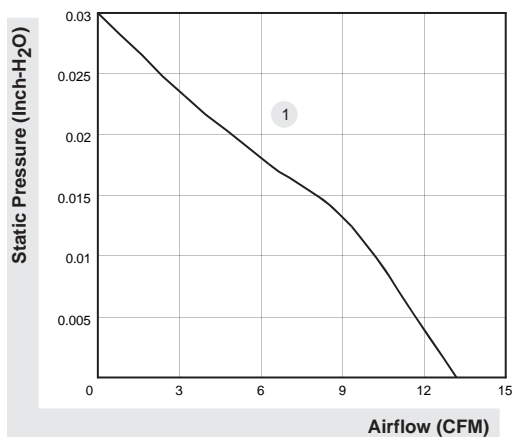
∅ 84.9x15.4mm

13.2 CFM



	Bearing	Rating Voltage (VDC)	Power Current (mA)	Power Consumption (WATTS)	Speed (RPM)	Air Flow (CFM)	Static Pressure (Inch-H <sub>2</sub> O)	Noise (dBA)	Weight (g)	Curve
	● VAPO									
HA60150V3-E02C-A99	●	5	80	0.40	2300	13.2	0.03	16.1	27.3	1
HA60150V3-E00C-H99 *	●	5	66	0.33	2300	13.2	0.03	16.1	28.8	1
HA60151V3-E01C-A99	●	12	28	0.34	2300	13.2	0.03	16.1	27.3	1
HA60151V3-E05C-H99 *	●	12	35	0.42	2300	13.2	0.03	16.1	28.8	1

\* model with PWM control function



( Units : mm )

\*All model could be customized. Please contact with Sunon Sales.

\*Specifications are subject to change without notice. Please Visit SUNON web site at <http://www.sunon.com> for update information.